



VoIP V2 Paging Amplifier

Now with up to 25 watts output (802.3at)

The new CyberData V2 SIP-enabled VoIP Paging Amplifier provides an easy method for implementing an IP-based overhead paging system for both new and legacy installations.

With up to 25 watts of driving power (802.3at), the Amplifier provides direct drive of a standard Horn speaker and supports a line-out connector for connection to an external amplifier. The interface is compatible with most SIP-based IP PBX servers that comply with the SIP RFC 3261. For non-SIP environments, the Paging Amplifier can be configured to listen to multicast address and port number combinations to form paging zones.

Ringer Mode

The VoIP V2 Paging Amplifier supports two SIP extensions. One extension can be assigned to a page group for auto answer paging. The second extension can be assigned to a "First-to-Answer" ring group with IP phones. An audio ring file is activated when the second SIP extension of the ceiling speaker is dialed. If any of the IP phones in the ring group is answered (or if the caller hangs up), the Paging Amplifier stops ringing.

Features

- SIP (RFC 3261) compatible
- Dual-speed ethernet 10/100 Mbps
- Web-based configuration
- Web-based firmware upgradeable
- PoE 802.3at and 802.3af-enabled
- IGMP
- Line-out connector
- DTMF controlled relay with open sense
- Direct speaker drive
- User-uploadable tones
- Simultaneous SIP and Multicast
- Second SIP endpoint "Night Ringer"
- Autoprovisioning
- Audio output confirmation notification



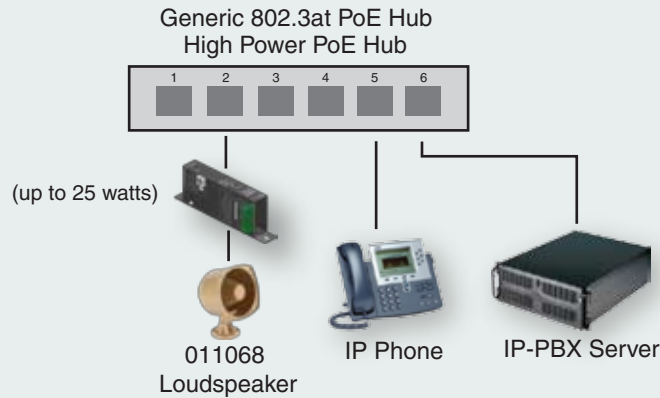
Loudspeaker must be purchased separately.

VoIP V2 Paging Amplifier Specifications	
Ethernet I/F	10/100 Mbps
Power Input	PoE 802.3at or 802.3af
Operating Temperature	-30 to 55 C (-22 to 131 F)
Protocol	SIP RFC 3261
Payload Types	G711
Regulatory Compliance	FCC Class A, CE
Warranty	2 Years Limited
Dimensions	1.26" x 9.45" x 3.13"
Output	<ul style="list-style-type: none"> ● 802.3af - up to 8 watts ● 802.3at - up to 25 watts
Lineout:	
Output Signal Amplitudes	2.0 VPP maximum
Output Level	+2dBm nominal
Total Harmonic Distortion	0.5% maximum
Part Number	011061

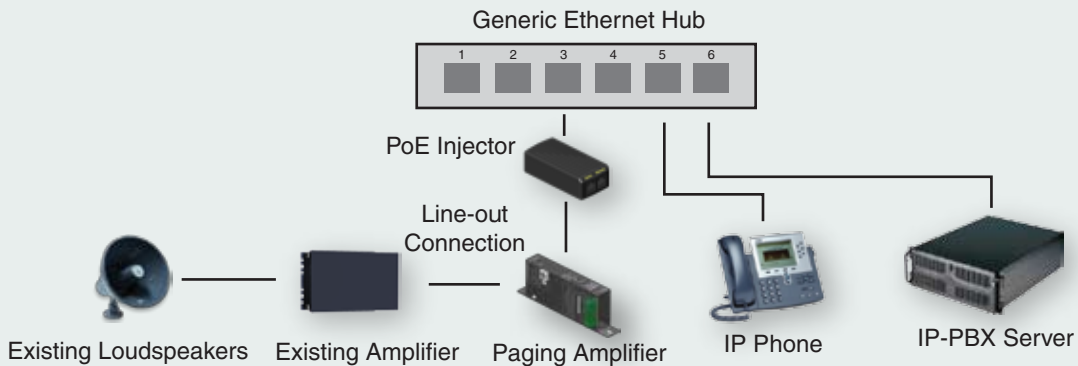


VoIP V2 Paging Amplifier

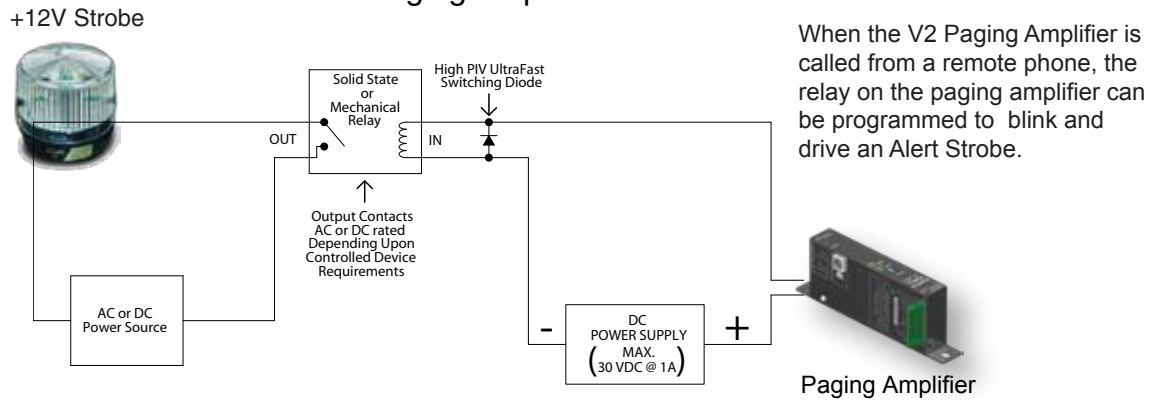
Typical Installation - POE 802.3at (Part# 010965)



Typical Line Out Installation



V2 Paging Amplifier with Strobe Alert



V2 Paging Amplifier Connections

CLASS II WIRING

